

# 1-½" BSP Airline Ball Valve

1-½" Airline Ball Valve is fitted with a standard 1-½" bore stainless steel ball between two solid PTFE seals.

The ball is equipped with a relief hole which faces the pressure side of the tank and allows effective communication with the pressure gauge while the valve is in the closed position. The relief hole also ensures there is no retention of product or build up of pressure inside the body.

The valve is machined with a 1-½" BSP male connection, flat faced to seal against a gasket on a compressed airline connection or a blanking cap.

## Features

- Gauge will continue to register tank pressure with valve in both the open or closed position
- Machined to accept a gauge guard to protect the gauge from damage. Gauge guard is available upon request
- Optional 90 mesh stainless steel screen to help protect tank from possible contamination that may be changed in place
- Can be equipped with a dual connection pipe "T" with a 1-½" BSP and 1-½" NPT thread
- Can be equipped with cable or hydraulic remote control to avoid having to climb on top of the tank
- Produced with heavy duty investment castings and with an electropolished finish

PART #	DESCRIPTION
GQ40500	Standard valve with PTFE seals, ¼" gauge plug. Gauge guard and screen filter sold separately

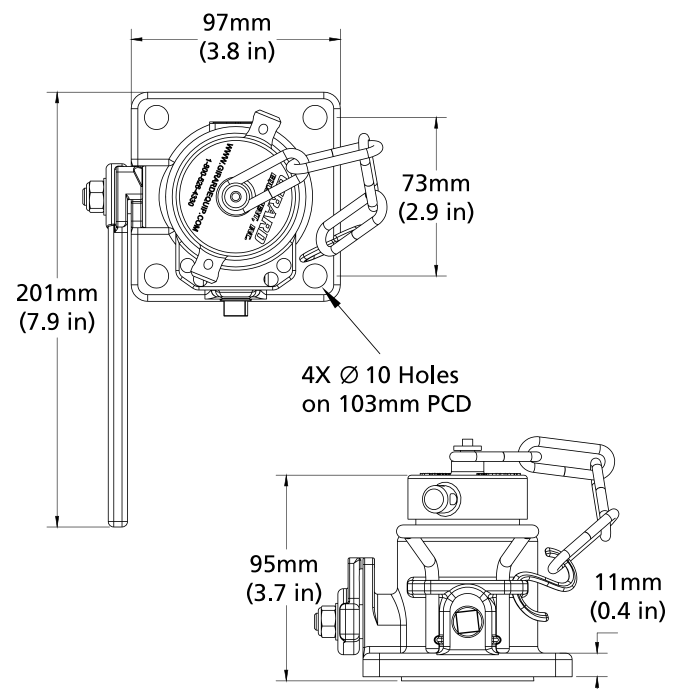
PERFORMANCE SPECIFICATIONS	
Max Working Pressure	10 BAR (145 PSI)
Test Pressure	15 BAR

ASSOCIATED PARTS	
GF19010	¼" liquid filled gauge 0-7 BAR (0-100 PSI)
GP40205	Weld-In Tank Pad
GQ40150	Gauge Guard



## PRODUCT DIMENSIONS

Weight 2.15 kg (5 lbs)



# 1-1/2" BSP Airline Ball Valve

ITEM	PART #	DIMENSIONS
1	GQ40510	1-1/2" Airline Ball Valve Body G3
2	GQ40010	Screen Filter (sold separately)
3	GQ40450	Stem
4	GQ40530	ABV Handle
5	GQ40540	Front Seal
6	GQ40520	1-1/2" Ball
7	GQ40550	Rear Seal
8	GQ40451	Teflon® Washer
9	GQ40452	Teflon® Seal
10	GQ40453	Shaft Spacer
11	GQ40454	Bellville Washer
12	GK10115	1-1/2" BSP Stainless Steel Peened Cap
13	GK98010	1/8" 316 Stainless Steel Chain (per metre)
14	GM15000	1-1/2" Teflon® Gasket
15	GK98020	#10 SS Flat Washer
16	GK10001	1/8" 316 Stainless Steel "S" Hook
17	GQ40020	Retaining Ring
18	GQ40030	1/8" NPT Plug - Square Head
19	GQ50170	M8 Flat Washer
20	GR05010	M8 Hex Lock Nut
21	GQ40150	Gauge Guard (sold separately)



**GP40205**  
Airline Ball Valve  
Weld-In Tank Pad  
4 x M10 Blind-tapped  
holes on 103.4 PCD



**GK98010**  
GE Chain (order by  
the foot or metre)  
Stainless Steel chain  
and two "S" hooks



PART #	DESCRIPTION
GQ98012	M10 x 35mm Bolt Kit
The above Bolt Kit contains 4 each of	
GQ97970	M10 x 35mm Stud
GQ97900	M10 Split Ring Lock Washer
GQ97910	M10 Hex Nut

